

**G E** series

**SINGLE CYLINDER**

GE725 0 - GE625 0 - GE525 0



# SINGLE CYLINDER

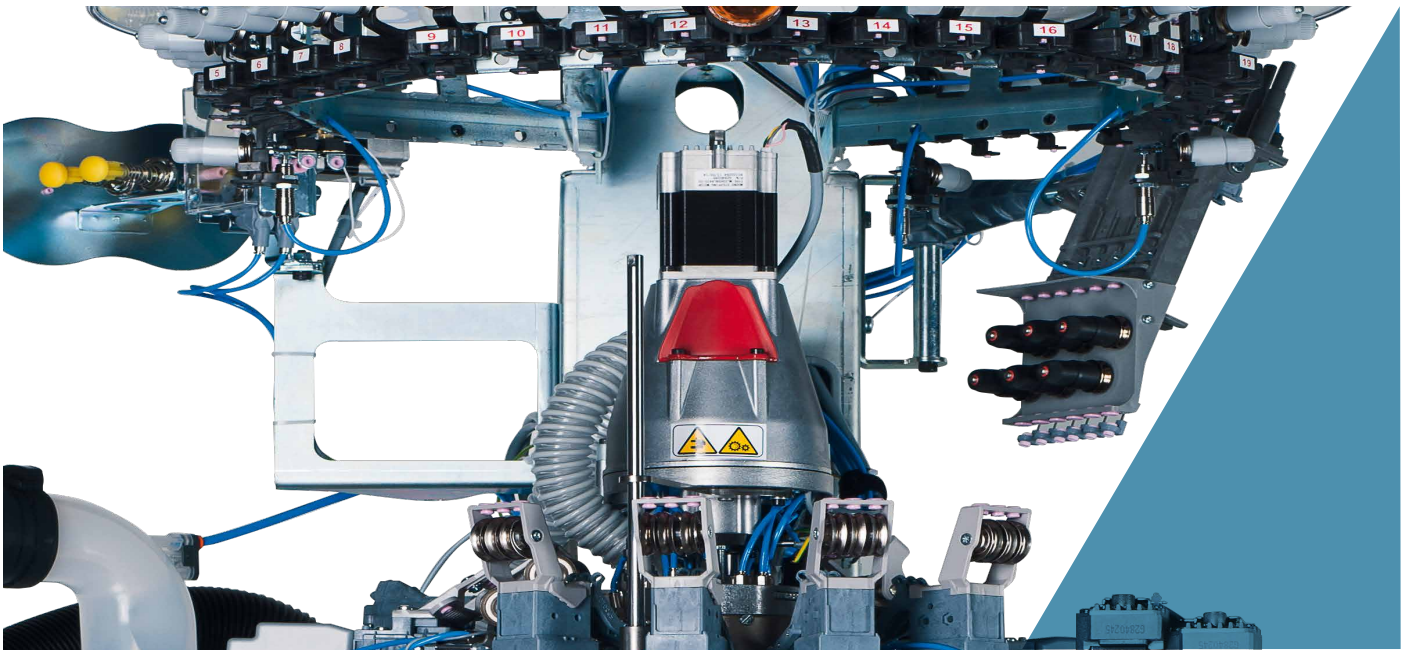
GE725 0 - GE625 0 - GE525 0



**KNITTING HEAD**  
designed to knit high quality items and ensure constant reliability over time

**SINKERS CAP**  
high speed for higher production

**NEW ELECTRONICS**  
9" high resolution touch screen display. New user friendly interface. Ethernet, WiFi, NFC connections, Bluetooth is also available for future developments



All images in this brochure are indicative and not binding.

## SINGLE CYLINDER

GE725 0 - GE625 0 - GE525 0

2 feeds single cylinder for men's socks machines are designed to offer maximum productivity. They are available in different diameters with different numbers of needles. New electronics provides control and execution of all machine commands. Drawings and articles are created and managed by Digraph 3 Plus software package, which contains a full collection of styles the operator can combine in different ways to obtain the desired results.

- 5 colors pattern on single feed course, plain knit
- Reciprocated heel and toe in different sizes, 3D effects
- 28 yarn fingers
- Rising dial and finger plate with stepping motor
- 9 electronic actuators for needle selection
- Brushless coaxial main motor

### MACHINE DIMENSIONS



Lenght max 94.5 cm  
Depth max 103.7 cm  
Height max 180 cm

### MACHINE WEIGHT



ca. 230 Kg

# SINGLE CYLINDER

## GE725 0 - GE625 0 - GE525 0

### TECHNICAL DATA

MODEL	CYLINDER DIAMETER	GAUGE	NEEDLE THICKNESS
GE725 0	3"1/2	7 1/2 to 20	0.85 - 0.70 - 0.60 mm
GE625 0	3"3/4	from 7 to 20	0.85 - 0.70 - 0.60 mm
GE525 0	4"	from 6 1/2 to 20	0.85 - 0.70 - 0.60 mm

Above data are indicative and not binding.

### STANDARD DEVICES

- Stepper motor electric dial with adjustable height
- Stitch cam feeds 1 and 2 with 2 different heights.
- High speed sinker cap
- 9" high resolution touch screen display
- Yarn sliding sensors guard cleaning device
- Heel yarn recover device with four positions
- 14 color yarn fingers
- 9 yarn fingers on first feed, 6 on second feed
- Yarn creel
- USB port
- Circular yarn cutter with mechanical stop
- 1 yarn finger on inlaid elastic feed
- Stepper motor controlled adjustable suction valve

### MAIN OPTIONAL DEVICES

- LGL Eco Power or Eco Compact yarn storage feeder, also available with "Attivo" electronic brake version
- Dinema GRYF positive yarn feeders
- Elastic yarn positive feeders, for compression socks
- Dinema Plus elastan positive feeders
- Stitch cam on first and second feed, 3 heights
- Motorized stitch cams
- Motorized sinkers cap for sinkers pressure
- Motorized sinkers cap for sinker pressure and angular position
- Antitwist device
- Footlet device
- Elastane extra pliers device
- Recover yarn device, 6 positions
- Yarn trimming circular cutter with adjustable speed
- Led inspection lamps
- Preparation for storage feeder "Unifeeder 2" by B TSR  
Ethernet board for connection to Dinema Nautilus data collector system
- Second elastic yarn finger, on second feed
- Yarn sliding control sensors, Dinema ISPY
- Pneumatic yarn tensioner for covered elastane
- Suction fan

### POSSIBLE KNITTING

The standard machine can perform the following knittings

- Mesh, tuck and float stitch, jacquard, 2 feeds
- 5 colors pattern plus ground color, mesh, tuck and float stitch, 1 feed
- With laid-in elastic: 5 colors pattern plus ground color, tuck and float stitch, 1 feed
- With laid-in elastic: mesh, tuck and float stitch, 4 colors pattern plus ground
- Laid-in elastic on 2 feeds, that is one course elastic every two knitted course
- With the second elastic yarn finger 4 colors pattern on course plus ground, tuck and float stitch, one feed
- With the second elastic yarn finger 3 colors pattern on course plus ground, mesh, tuck and float stitch, one feed

# SINGLE CYLINDER

## GE725 0 - GE625 0 - GE525 0



### NUMBER OF COLORS

Number of colors	5 colors on course plus ground color, one feed
------------------	--

### PERFORMANCES

	3" 1/2 3" 3/4 4" CYLINDERS
KNITTING FEATURES	Patterns or selections 300rpm Plain knit without pattern 350rpm
MAXIMUM SPEED	350 rpm

Above data are indicative and not binding.

DISCLAIMER: maximum speed may vary depending on yarn, knitting, lubrication etc

### GAUGE

		GAUGE																										
Model	ø	6½	7	7½	8	8½	9	9½	10	10½	11	11½	12	12½	13	13½	14	14½	15	15½	16	16½	17	17½	18	18½	19	20
GE525 0	4"	84	88	96		108 112		116 120		128 132	136	144		156 160		168	176	180	188	192	200		216	220			240	256
		Needle thickness 0.85 mm																										
		Needle thickness 0.70 mm						Needle thickness 0.70 mm						Needle thickness 0.60 mm														
GE625 0	3"3/4		84	88	96		108	112	116	120 128	132		144		156	160	168		176	180	188	192	200			216 220		240
		Needle thickness 0.85 mm																										
		Needle thickness 0.70 mm												Needle thickness 0.60 mm														
GE725 0	3"1/2			84	88	96	100		108 112	116	120	128	132		144		156		168			180		192	200			220
		Needle thickness 0.85 mm																										
		Needle thickness 0.70 mm																Needle thickness 0.60 mm										

Above data are indicative and not binding.

#### DISCLAIMER:

All features in the brochure are for information only and subject to change without any prior notice.

For a complete list of available options, please contact Lonati sales network.

The Company accepts no liability for improper use of machinery.

Lonati is recommending needles from  
**GROZ-BECKERT®**

# SINGLE CYLINDER

GE725 0 - GE625 0 - GE525 0

## NOISE LEVEL (Maximum noise output for GE series models)

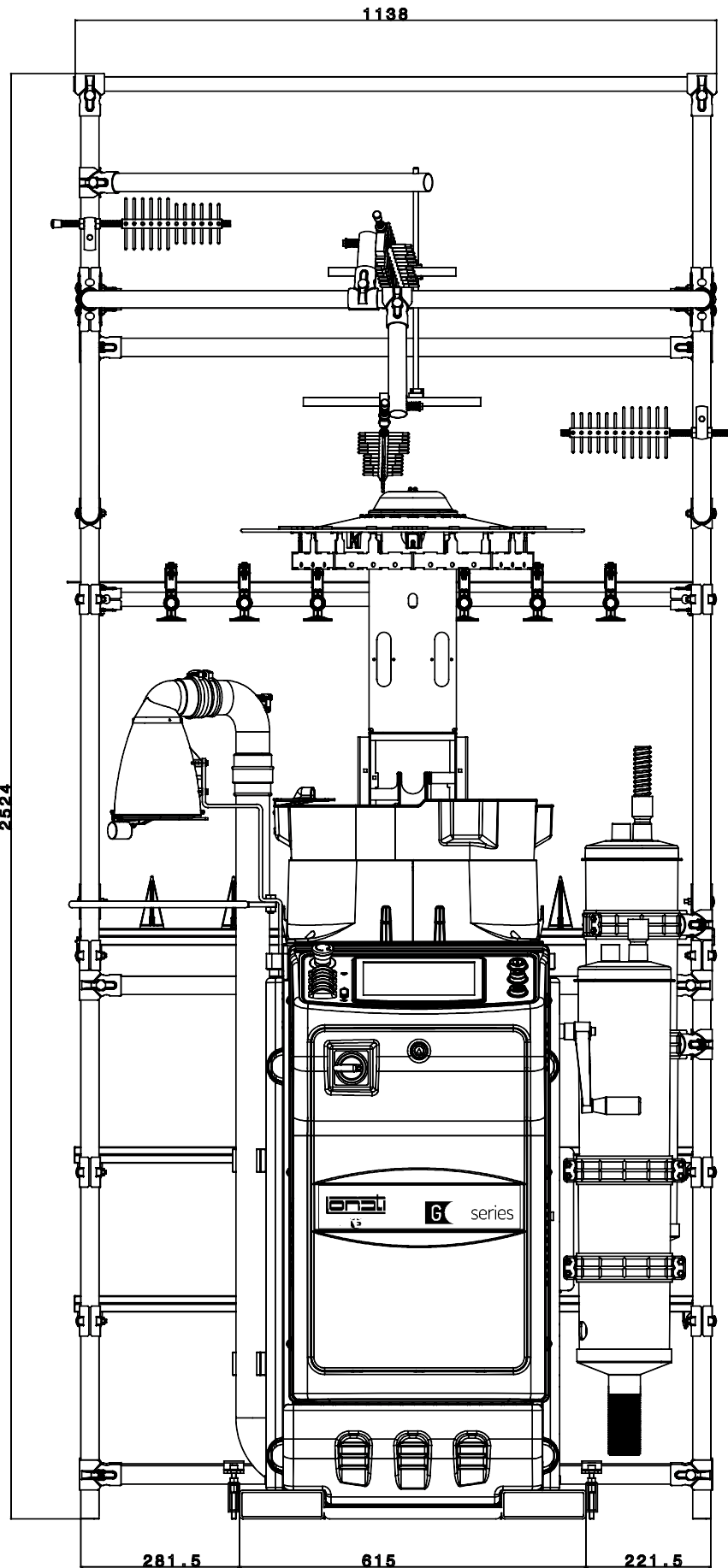
Noise pressure level on reference surface = LPA 79,5 dB - Noise power level = LWA 96,6 dB - Peak= 109,3 dB

## LUBRICANTS

Average consumption for 100 dozens= 270 gr. Lonati recommends: Kluber Madol 183 Supreme - Fuchs Renolin Trax 16C - VICKERLUBE SOCK 46

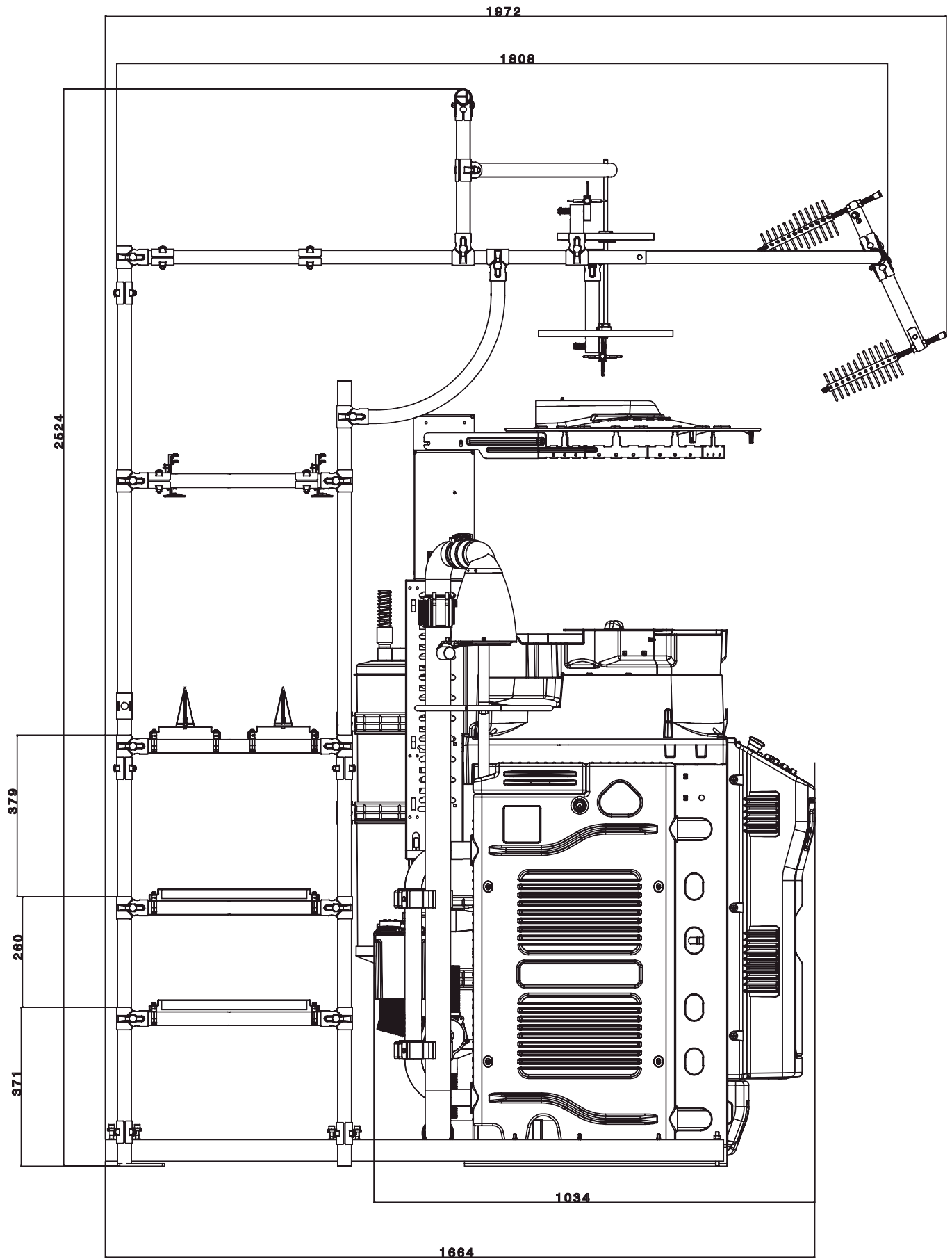
## GREASE

For seals, bearings etc: Lonati recommends: TechnolubeSeals Damping grease Nyogel 774F-1



DESCRIPTION	CODE	NR. OF REELS	WEIGHT KG.	NOTES
Yarn creel	G3930706	23	20	Standard version
Yarn creel	G3930707	23	20	Version with BTR sensors





DESCRIPTION	CODE	NR. OF REELS	WEIGHT KG.	NOTES
Yarn creel	G3930706	23	20	Standard version
Yarn creel	G3930707	23	20	Version with BTSR sensors







LONATI SPA

Via Francesco Lonati, 3 | 25124 Brescia (Italy)

Tel. +39 03023901 | Fax +39 030 2310024

C.F.: 01469680175 | P.iva: 02096730961

info@lonati.com - www.lonati.com